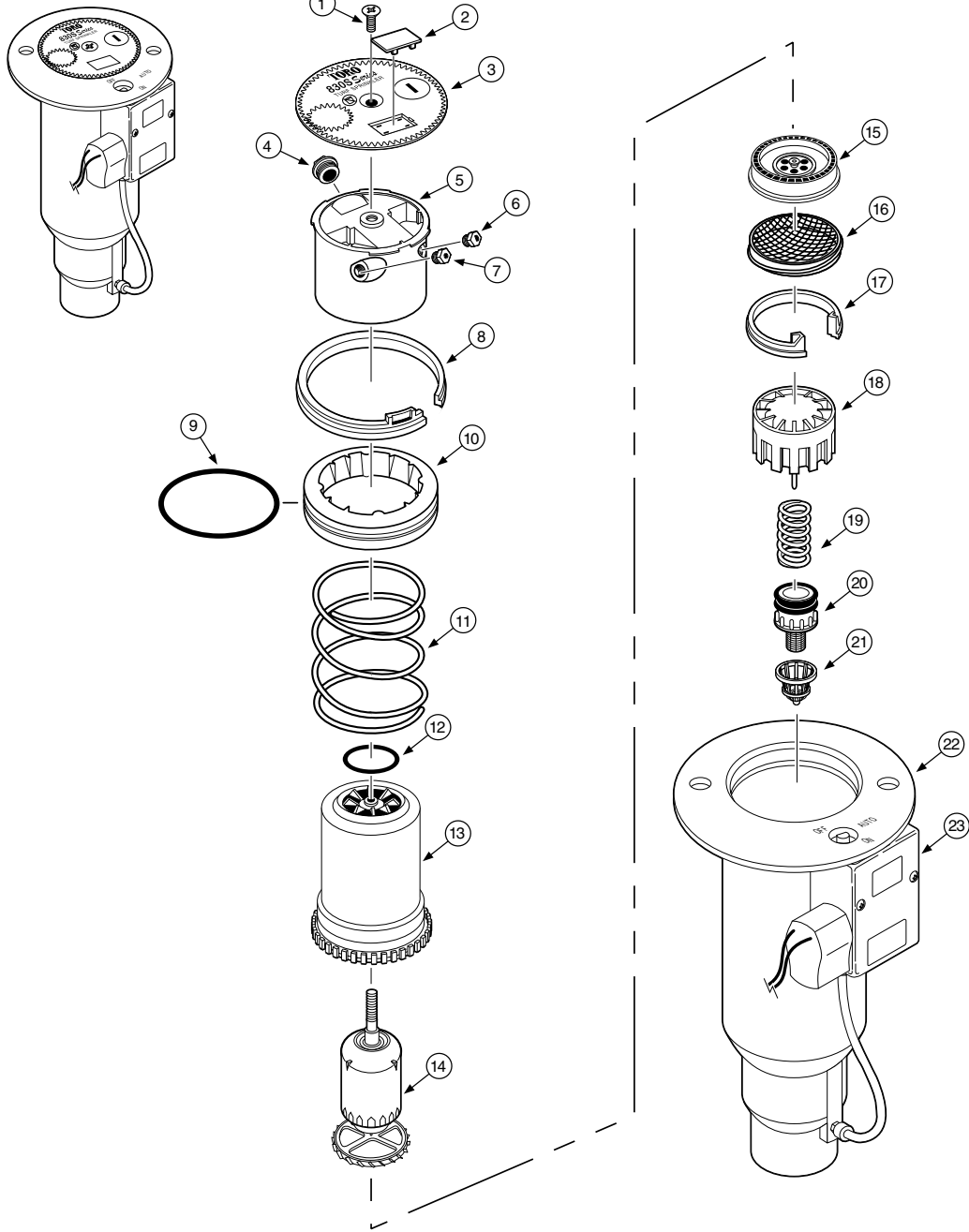


830S Series Sprinkler



Model Number Information

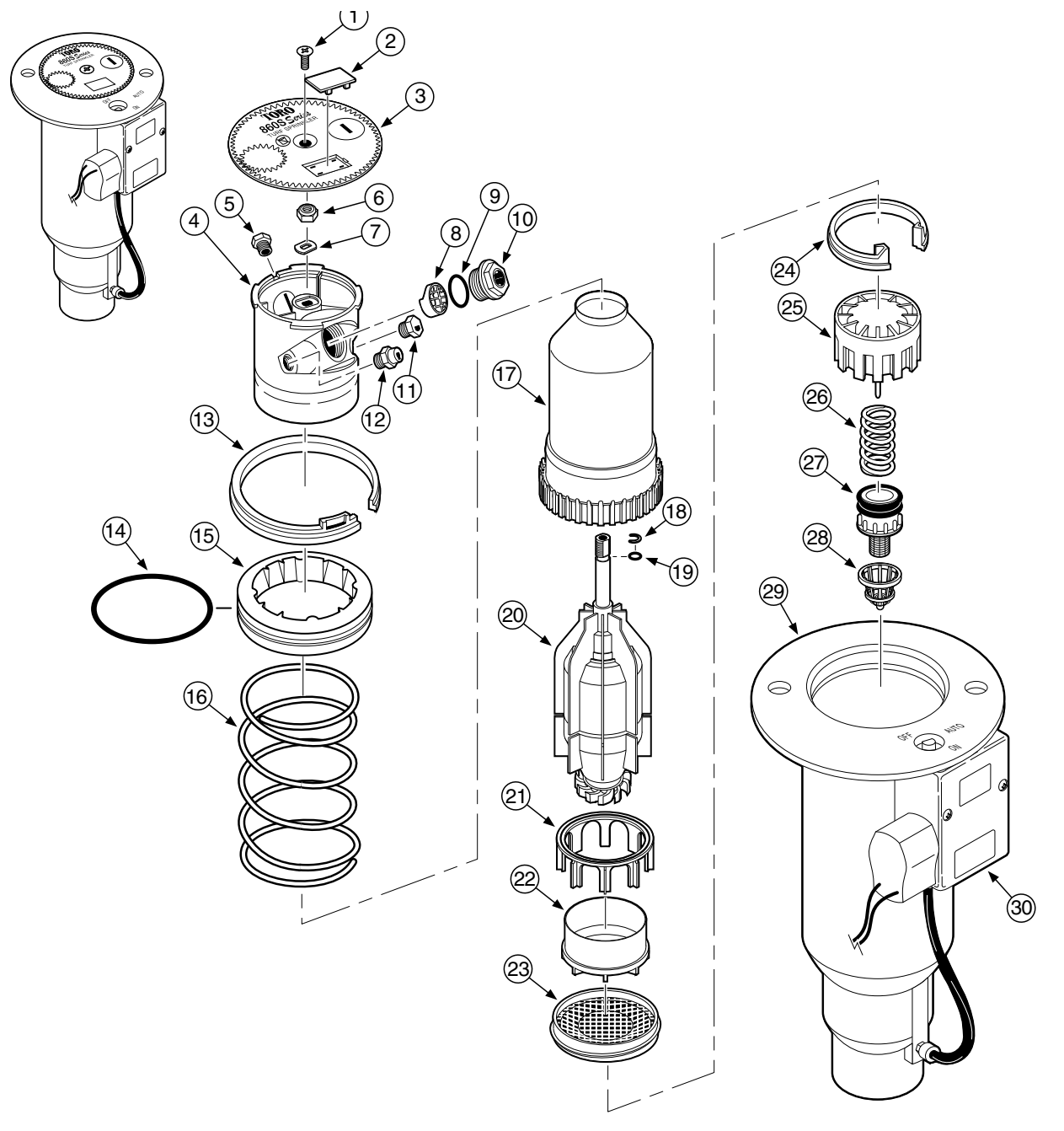
834S-XX-3XX-E

| Arc | Body | Nozzle | Pressure Regulation* | Effluent |
|-----------------|--|---|---|----------|
| 4 = Full Circle | 01 = NPT, NO Valve-In-Head 02 = NPT, Check-O-Matic 06 = NPT, Electric Valve-In-Head 41 = ACME, NO Valve-In-Head 42 = ACME, Check-O-Matic 46 = ACME, Electric Valve-In-Head 51 = BSP, NO Valve-In-Head 52 = BSP, Check-O-Matic 56 = BSP, Electric Valve-In-Head | 1 (Yellow) 2 (Blue) 3 (Brown) 4 (Orange) 5 (Green) 6 (Gray) 7 (Black) | 5 = 50 PSI 6 = 65 PSI 8 = 80 PSI 1 = 100 PSI | |

* Pressure Regulation available on Electric VIH models only.

Note: For detailed model number availability and ordering information, refer to the Golf Finished Goods Price List (form no. 490-2844).

860S Series Sprinkler



Model Number Information

86XS-XX-6XX-E

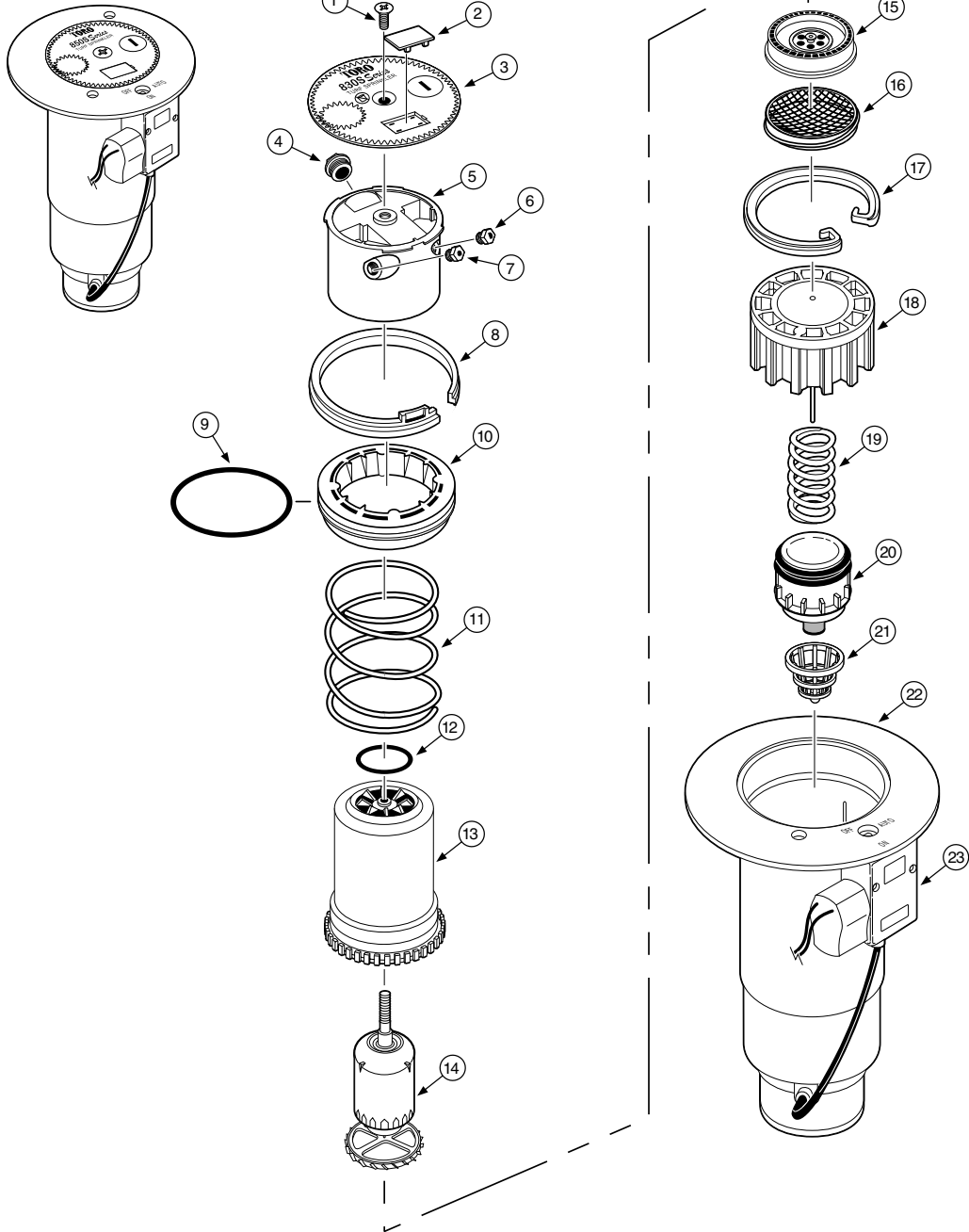
| Arc | Body | Nozzle | Pressure Regulation* |
|------------------------------------|--|---|---|
| 4 = Full Circle 5 = Part Circle | 01 = NPT, NO Valve-In-Head 02 = NPT, Check-O-Matic 06 = NPT, Electric Valve-In-Head 41 = ACME, NO Valve-In-Head 42 = ACME, Check-O-Matic 46 = ACME, Electric Valve-In-Head 51 = BSP, NO Valve-In-Head 52 = BSP, Check-O-Matic 56 = BSP, Electric Valve-In-Head | 1 (Yellow) 2 (Blue) 3 (Brown) 4 (Orange) 5 (Green) 6 (Gray) 7 (Black) | 5 = 50 PSI 6 = 65 PSI 8 = 80 PSI 1 = 100 PSI |

* Pressure Regulation available on Electric VIH models only.

Note: For detailed model number availability and ordering information, refer to the Golf Finished Goods Price List (form no. 490-2844).

| Item No. | Part No. | Nomenclature | Quantity Per Assy. |
|----------|------------|--|--------------------|
| 1 | 102-1950 | Screw, Cap, Stainless Steel, Full Circle Models | 1 |
| 1 | 363-4125 | Screw, Cap, Brass, Part Circle Models | 1 |
| 2 | 89-1589 | Plug, Cap | 1 |
| 3 | 102-1947 | Cap, 860S | 1 |
| 3 | 102-2082 | Cap, 860S, Effluent | 1 |
| 4 | 102-2153 | Nozzle Base Assembly | 1 |
| 5 | 102-0840 | Plug, Back Nozzle | 1 |
| 6 | 102-1951 | Alignment Washer | 1 |
| 7 | 102-1949 | Stream Straightener | 1 |
| 8 | 363-4104 | O-Ring, Main Nozzle | 1 |
| 9 | 102-0725 | Nozzle, Main, #1, Yellow | 1 |
| 9 | 102-0726 | Nozzle, Main, #2, Blue | 1 |
| 9 | 102-0727 | Nozzle, Main, #3, Brown | 1 |
| 9 | 102-0728 | Nozzle, Main, #4, Orange | 1 |
| 9 | 102-0729 | Nozzle, Main, #5, Green | 1 |
| 9 | 102-0730 | Nozzle, Main, #6, Gray | 1 |
| 9 | 102-0731 | Nozzle, Main, #7, Black | 1 |
| 10 | 102-2136 | Nozzle Assembly, Inner, Low-Flow, Yellow | 1 |
| 11 | 102-0609 | Nozzle, Intermediate, Gray (Used with #1–2 main nozzles) | 1 |
| 11 | 102-0610 | Nozzle, Intermediate, Red (Used with #3–4 main nozzles) | 1 |
| 11 | 102-0823 | Nozzle, Intermediate, Beige (Used with #5–7 main nozzles) | 1 |
| 12 | 89-1385 | Snap Ring, Riser | 1 |
| 13 | 363-4102 | O-Ring, Body | 1 |
| 14 | 102-0134 | Retainer, Seal, 1.0" | 1 |
| 15 | 102-0151 | Spring, Return | 1 |
| 16 | 89-6360 | Riser Assembly, 860S | 1 |
| 17 | 102-2039 | Support Ring | 1 |
| 18 | 363-4092 | O-Ring | 1 |
| 19 | 102-2203 | Drive Assembly, PC, (Includes items 17 & 18) | 1 |
| 19 | 102-2323 | Drive Assembly, FC, (Includes items 17 & 18) | 1 |
| 20 | 89-1958 | Stator Support | 1 |
| 21 | 89-1957 | Stator, Variable | 1 |
| 22 | 89-1588 | Screen, 860S/880S | 1 |
| 23 | 89-4702 | Snap Ring, Valve | 1 |
| 24 | 102-0623 | Cylinder Assembly | 1 |
| 25 | 3-2633 | Spring, Valve, Electric & Normally Open | 1 |
| 25 | 89-5821 | Spring, Valve, Check-O-Matic | 1 |
| 26 | 89-1054 | Piston Assembly, Electric | 1 |
| 26 | 102-1864 | Piston Assembly, Check-O-Matic & Normally Open | 1 |
| 27 | 102-0784 | Screen, Rock, Removable | 1 |
| 28 | 102-1094 | Body Assembly, Electric, ACME | 1 |
| 28 | 102-1092 | Body Assembly, Electric, BSP | 1 |
| 28 | 102-1090 | Body Assembly, Electric, NPT | 1 |
| 28 | 102-1082 | Body Assembly, Check-O-Matic, ACME | 1 |
| 28 | 102-1080 | Body Assembly, Check-O-Matic, BSP | 1 |
| 28 | 102-1078 | Body Assembly, Check-O-Matic, NPT | 1 |
| 28 | 102-1088 | Body Assembly, Normally Open, ACME | 1 |
| 28 | 102-1086 | Body Assembly, Normally Open, BSP | 1 |
| 28 | 102-1084 | Body Assembly, Normally Open, NPT | 1 |
| 29 | See p. 68 | Pilot Valve Assembly, | 1 |
| | | SERVICE PARTS AND ASSEMBLIES | |
| | 102-0624 | Valve Assembly, Electric (Includes Items 24–26) | |
| | 102-1118 | Valve Assembly, Check-O-Matic (Includes Items 24–26) | |
| | 102-1120 | Valve Assembly, Normally Open (Includes Items 24–26) | |
| | 102-2506 | Cap, 860S, w/o Graphics | |
| | 102-2507 | Cap, 860S, w/o Graphics, Effluent | |
| | * 102-2550 | Conversion Assy., 865S, 61–64, Ribbed Body | |
| | * 102-2551 | Conversion Assy., 865S, 65–67, Ribbed Body | |
| | | SERVICE TOOLS | |
| | | See Sprinkler Service Tools | |
| | | | |
| | | * Order Through Finished Goods Distribution System – Minneapolis | |

850S Series Sprinkler



Model Number Information

854S-XX-5XX-E

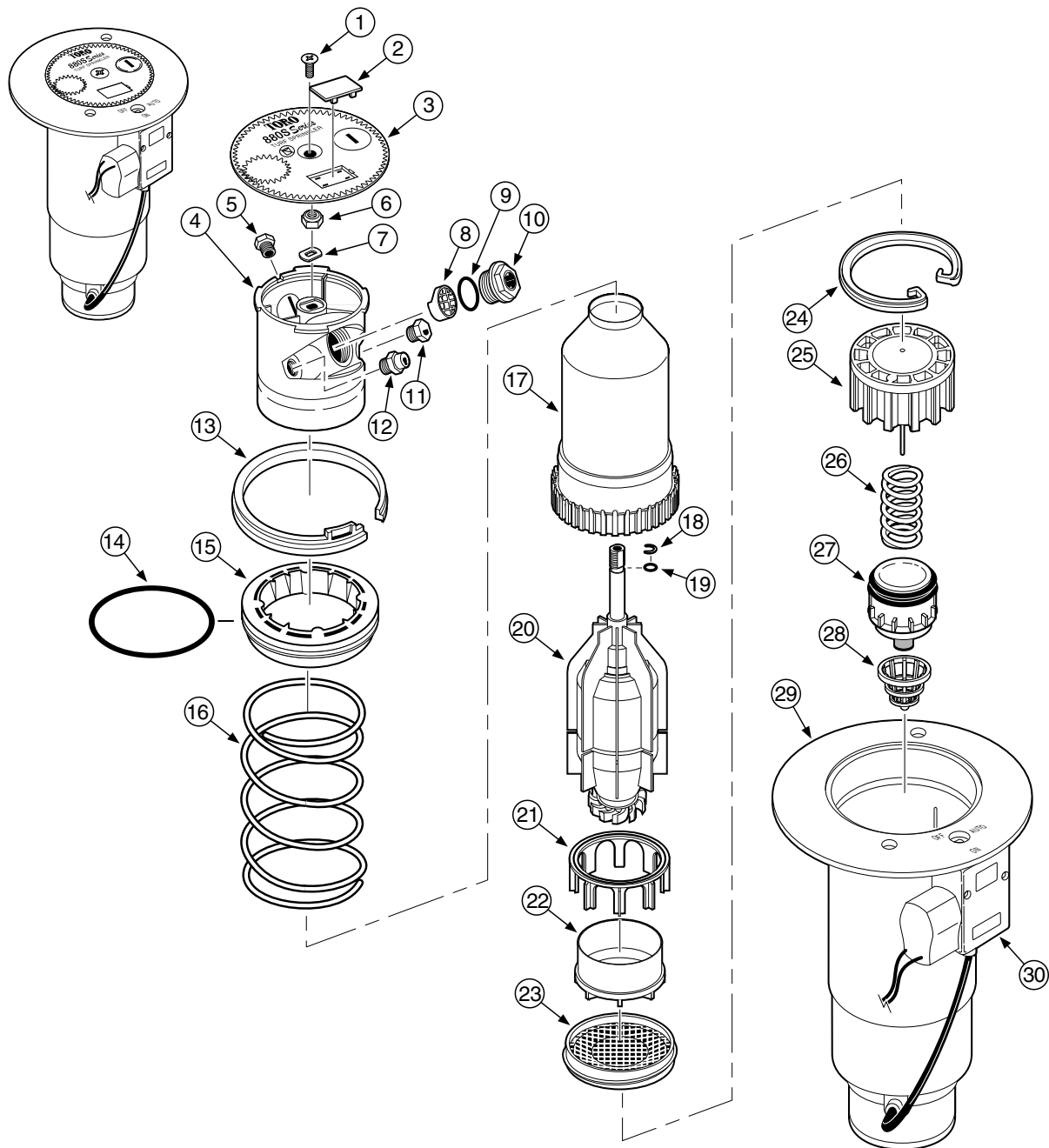
| Arc | Body | Nozzle | Pressure Regulation* | Effluent |
|-----------------|--|---|---|----------|
| 4 = Full Circle | 01 = NPT, NO Valve-In-Head 02 = NPT, Check-O-Matic 06 = NPT, Electric Valve-In-Head 41 = ACME, NO Valve-In-Head 42 = ACME, Check-O-Matic 46 = ACME, Electric Valve-In-Head 51 = BSP, NO Valve-In-Head 52 = BSP, Check-O-Matic 56 = BSP, Electric Valve-In-Head | 1 (Yellow) 2 (Blue) 3 (Brown) 4 (Orange) 5 (Green) 6 (Gray) 7 (Black) 8 (Red) 9 (Beige) | 5 = 50 PSI 6 = 65 PSI 8 = 80 PSI 1 = 100 PSI | |

* Pressure Regulation available on Electric VIH models only.

Note: For detailed model number availability and ordering information, refer to the Golf Finished Goods Price List (form no. 490-2844).

| Item No. | Part No. | Nomenclature | Quantity Per Assy. |
|----------|-----------|---|--------------------|
| 1 | 102-0362 | Screw, Cap | 1 |
| 2 | 89-1589 | Plug, Cap | 1 |
| 3 | 102-0231 | Cap, 850S | 1 |
| 3 | 102-1704 | Cap, 850S, Effluent | 1 |
| 4 | 102-0725 | Nozzle, Main, #1 (Yellow) | 1 |
| 4 | 102-0726 | Nozzle, Main, #2 (Blue) | 1 |
| 4 | 102-0727 | Nozzle, Main, #3 (Brown) | 1 |
| 4 | 102-0728 | Nozzle, Main, #4 (Orange) | 1 |
| 4 | 102-0729 | Nozzle, Main, #5 (Green) | 1 |
| 4 | 102-0730 | Nozzle, Main, #6 (Gray) | 1 |
| 4 | 102-0731 | Nozzle, Main, #7 (Black) | 1 |
| 4 | 102-0732 | Nozzle, Main, #8 (Red) | 1 |
| 4 | 102-0227 | Nozzle, Main, #9 (Beige) | 1 |
| 5 | 102-0955 | Nozzle Base Assembly | 1 |
| 6 | 102-2136 | Nozzle Assembly, Inner, Low-Flow (Yellow - Used with #1-4 Main Nozzle) | 1 |
| 6 | 102-2135 | Nozzle Assembly, Inner, High-Flow (White - Used with #5-9 Main Nozzle) | 1 |
| 7 | 102-2105 | Nozzle Assembly, Intermediate (Blue - Used with #1-2 Main Nozzle) | 1 |
| 7 | 102-2106 | Nozzle Assembly, Intermediate (Orange - Used with #3-4 Main Nozzle) | 1 |
| 7 | 102-2107 | Nozzle Assembly, Intermediate (Gray - Used with #5-7 Main Nozzle) | 1 |
| 7 | 102-0610 | Nozzle Assembly, Intermediate (Red - Used with #7-8 Main Nozzle) | 1 |
| 7 | 102-2043 | Nozzle Assembly, Intermediate (Beige - Used with #9 Main Nozzle) | 1 |
| 8 | 35-6119 | Snap Ring, Riser | 1 |
| 9 | 363-4103 | O-Ring, Body | 1 |
| 10 | 102-0136 | Retainer, Seal | 1 |
| 11 | 102-0151 | Spring, Return | 1 |
| 12 | 363-4167 | O-Ring, Nozzle Base | 1 |
| 13 | 102-0203 | Riser | 1 |
| 14 | 102-0954 | Drive Assembly | 1 |
| 15 | 102-1939 | Stator Assembly, Low-Flow (Yellow - Use with #1-4 Main Nozzle) | 1 |
| 15 | 102-1940 | Stator Assembly, Medium-Flow (White - Use with #5-7 Main Nozzle) | 1 |
| 15 | 102-1941 | Stator Assembly, High-Flow (White - Use with #8-9 Main Nozzle) | 1 |
| 16 | 102-1715 | Screen, Riser | 1 |
| 17 | 3-3304 | Snap Ring, Valve | 1 |
| 18 | 102-0626 | Cylinder Assembly | 1 |
| 19 | 3-3323 | Spring, Valve, Electric & Normally Open | 1 |
| 19 | 3-3311 | Spring, Valve, Check-O-Matic | 1 |
| 20 | 89-0937 | Piston Assembly, Electric | 1 |
| 20 | 102-1866 | Piston Assembly, Check-O-Matic & Normally Open | 1 |
| 21 | 102-0785 | Screen, Rock, Removable | 1 |
| 22 | 102-1153 | Body Assembly, Electric, ACME | 1 |
| 22 | 102-1151 | Body Assembly, Electric, BSP | 1 |
| 22 | 102-1149 | Body Assembly, Electric, NPT | 1 |
| 22 | 102-1141 | Body Assembly, Check-O-Matic, ACME | 1 |
| 22 | 102-1139 | Body Assembly, Check-O-Matic, BSP | 1 |
| 22 | 102-1137 | Body Assembly, Check-O-Matic, NPT | 1 |
| 22 | 102-1147 | Body Assembly, Normally Open, ACME | 1 |
| 22 | 102-1145 | Body Assembly, Normally Open, BSP | 1 |
| 22 | 102-1143 | Body Assembly, Normally Open, NPT | 1 |
| 23 | See p. 68 | Pilot Valve Assembly, | 1 |
| | | SERVICE PARTS AND ASSEMBLIES | |
| | 89-1010 | Valve Assembly, Electric (Includes Items 18-20) | |
| | 102-1119 | Valve Assembly, Check-O-Matic (Includes Items 18-20) | |
| | 102-1121 | Valve Assembly, Normally Open (Includes Items 18-20) | |
| | 102-0624 | Valve Assembly, Electric (Includes Items 18-20) | |
| | 102-1118 | Valve Assembly, Check-O-Matic (Includes Items 18-20) | |
| | 102-1120 | Valve Assembly, Normally Open (Includes Items 18-20) | |
| | 102-2504 | Cap, 850S, w/o Graphics | |
| | 102-2505 | Cap, 850S, w/o Graphics, Effluent | |
| | 102-0312 | Solenoid Assembly, Low Wattage w/ Surge Protection, Salt Water Tolerant | |
| | 102-2110 | Plunger Assembly, Salt Water Tolerant | |
| | *102-2532 | Conversion Assembly, 854S, 51-54 | |
| | *102-2533 | Conversion Assembly, 854S, 55-57 | |
| | *102-2534 | Conversion Assembly, 854S, 58-59 | |
| | | SERVICE TOOLS | |
| | | See Sprinkler Service Tools | |
| | | * Order through Finished Goods Distribution System - Minneapolis | |

880S Series Sprinkler



Model Number Information

88XS-XX-8XX-E

Arc

4 = Full Circle
5 = Part Circle

Body

01 = NPT, NO Valve-In-Head
02 = NPT, Check-O-Matic
06 = NPT, Electric Valve-In-Head
41 = ACME, NO Valve-In-Head
42 = ACME, Check-O-Matic
46 = ACME, Electric Valve-In-Head
51 = BSP, NO Valve-In-Head
52 = BSP, Check-O-Matic
56 = BSP, Electric Valve-In-Head

Nozzle

1 (Yellow)
2 (Blue)
3 (Brown)
4 (Orange)
5 (Green)
6 (Gray)
7 (Black)
8 (Red)

Pressure Regulation*

5 = 50 PSI
6 = 65 PSI
8 = 80 PSI
1 = 100 PSI

Effluent

* Pressure Regulation available on Electric VIH models only.

Note: For detailed model number availability and ordering information, refer to the Golf Finished Goods Price List (form no. 490-2844).

| Item No. | Part No. | Nomenclature | Quantity Per Assy. |
|----------|------------|--|--------------------|
| 1 | 102-1950 | Screw, Cap, Stainless Steel, Full Circle Models | 1 |
| 1 | 363-4125 | Screw, Cap, Brass, Part Circle Models | 1 |
| 2 | 89-1589 | Plug, Cap | 1 |
| 3 | 102-1948 | Cap, 880S | 1 |
| 3 | 102-2083 | Cap, 880S, Effluent | 1 |
| 4 | 102-2153 | Nozzle Base Assembly | 1 |
| 5 | 102-0840 | Plug, Back Nozzle | 1 |
| 6 | 102-1951 | Alignment Washer | 1 |
| 7 | 102-1949 | Stream Straightener | 1 |
| 8 | 363-4104 | O-Ring, Main Nozzle | 1 |
| 9 | 102-0725 | Nozzle, Main, #1, Yellow | 1 |
| 9 | 102-0726 | Nozzle, Main, #2, Blue | 1 |
| 9 | 102-0727 | Nozzle, Main, #3, Brown | 1 |
| 9 | 102-0728 | Nozzle, Main, #4, Orange | 1 |
| 9 | 102-0729 | Nozzle, Main, #5, Green | 1 |
| 9 | 102-0730 | Nozzle, Main, #6, Gray | 1 |
| 9 | 102-0731 | Nozzle, Main, #7, Black | 1 |
| 9 | 102-0732 | Nozzle, Main, #8, Red | 1 |
| 10 | 102-2136 | Nozzle Assembly, Inner, Low-Flow, Yellow | 1 |
| 11 | 102-0609 | Nozzle, Intermediate, Gray (Used with #1–2 main nozzles) | 1 |
| 11 | 102-0610 | Nozzle, Intermediate, Red (Used with #3–4 main nozzles) | 1 |
| 11 | 102-0823 | Nozzle, Intermediate, Beige (Used with #5–8 main nozzles) | 1 |
| 12 | 35-6119 | Snap Ring, Riser | 1 |
| 13 | 363-4103 | O-Ring, Body | 1 |
| 14 | 102-0136 | Retainer, Seal, 1.5" | 1 |
| 15 | 102-0151 | Spring, Return | 1 |
| 16 | 89-6361 | Riser Assembly, 880S | 1 |
| 17 | 102-2039 | Support Ring | 1 |
| 18 | 363-4092 | O-Ring | 1 |
| 19 | 102-2203 | Drive Assembly, PC (Includes items 17 & 18) | 1 |
| 19 | 102-2323 | Drive Assembly, FC (Includes items 17 & 18) | 1 |
| 20 | 89-1958 | Stator Support | 1 |
| 21 | 89-1957 | Stator, Variable | 1 |
| 22 | 89-1588 | Screen, 860S/880S | 1 |
| 23 | 3-3304 | Snap Ring, Valve | 1 |
| 24 | 102-0626 | Cylinder Assembly | 1 |
| 25 | 3-3323 | Spring, Valve, Electric & Normally Open | 1 |
| 25 | 3-3311 | Spring, Valve, Check-O-Matic | 1 |
| 26 | 89-0937 | Piston Assembly, Electric | 1 |
| 26 | 102-1866 | Piston Assembly, Check-O-Matic & Normally Open | 1 |
| 27 | 102-0785 | Screen, Rock, Removable | 1 |
| 28 | 102-1153 | Body Assembly, Electric, ACME | 1 |
| 28 | 102-1151 | Body Assembly, Electric, BSP | 1 |
| 28 | 102-1149 | Body Assembly, Electric, NPT | 1 |
| 28 | 102-1141 | Body Assembly, Check-O-Matic, ACME | 1 |
| 28 | 102-1139 | Body Assembly, Check-O-Matic, BSP | 1 |
| 28 | 102-1137 | Body Assembly, Check-O-Matic, NPT | 1 |
| 28 | 102-1147 | Body Assembly, Normally Open, ACME | 1 |
| 28 | 102-1145 | Body Assembly, Normally Open, BSP | 1 |
| 28 | 102-1143 | Body Assembly, Normally Open, NPT | 1 |
| 29 | See p. 68 | Pilot Valve Assembly, | 1 |
| | | SERVICE PARTS AND ASSEMBLIES | |
| | 89-1010 | Valve Assembly, Electric (Includes Items 24–26) | |
| | 102-1119 | Valve Assembly, Check-O-Matic (Includes Items 24–26) | |
| | 102-1121 | Valve Assembly, Normally Open (Includes Items 24–26) | |
| | 102-2508 | Cap, 880S, w/o Graphics | |
| | 102-2509 | Cap, 880S, w/o Graphics, Effluent | |
| | * 102-2552 | Conversion Assy., 885S, 81–84, Ribbed Body | |
| | * 102-2553 | Conversion Assy., 885S, 85–88, Ribbed Body | |
| | * 102-2554 | Conversion Assy., 885S, 81–84, Ribless Body | |
| | * 102-2555 | Conversion Assy., 885S, 85–88, Ribless Body | |
| | | SERVICE TOOLS | |
| | | See Sprinkler Service Tools | |
| | | * Order Through Finished Goods Distribution System – Minneapolis | |

Sprinkler Service Tools

| Residential/Commercial | | Golf, 1 Inch Body | | Golf, 1.5 Inch Body | |
|------------------------|------------------------------|-------------------|---|---------------------|---|
| Part No. | Nomenclature | Part No. | Nomenclature | Part No. | Nomenclature |
| | 570 SERIES | | ALL MODELS | | ALL MODELS |
| 89-6395 | Riser Pull Up Tool | | (630, 660, 730, 760) | | (650, 670, 680, 750, 780) |
| 89-7350 | Adjustment Key | 995-07 | Valve Snap Ring Pliers | 995-07 | Valve Snap Ring Pliers |
| | 570Z PRX SERIES | 995-08 | Valve Removal Tool | 995-09 | Valve Removal Tool |
| 102-1777 | X-Tool | 995-15 | Selector Tool (Flag Key) | 995-10 | Valve Insertion Tool |
| | S700 SERIES | 995-49 | Pressure Gauge | 995-15 | Selector Tool (Flag Key) |
| 89-1375 | Nozzle Tool & Wrench | 995-50 | Pitot Tube | 995-49 | Pressure Gauge |
| | 2001 SERIES | 995-51 | Pressure Gauge Kit (Includes 995-49 & 995-50) | 995-50 | Pitot Tube |
| 89-4717 | Adjustment Tool | 995-76 | Valve Insertion Tool | 995-51 | Pressure Gauge Kit (Includes 995-49 & 995-50) |
| 995-83 | Multi-Purpose Tool | | 630 SERIES | | 650 SERIES |
| | S606 SERIES | 995-06 | Drive Assy. Extraction Tool | 995-06 | Drive Assy. Extraction Tool |
| 995-58 | Nozzle Tool Kit | 995-16 | Riser Pliers | 995-07 | Valve Snap Ring Pliers |
| | 640 SERIES | 995-31 | Hose Adapter | 995-16 | Riser Pliers |
| 995-07 | Snap Ring Pliers | | 660 SERIES | 995-31 | Hose Adapter |
| 995-08 | Valve Removal Tool | 995-52 | Nut Driver, 1/4" | 995-79 | Nut Driver 7/16" (For Inner Nozzle) |
| 995-35 | Valve Insertion Tool | 995-53 | Nut Driver, 3/8" | | 670 SERIES |
| 995-37 | Seal Installation Tool | 995-55 | Riser Hold Up Tool | 995-07 | Valve Snap Ring Pliers |
| 995-42 | Nozzle Canister Removal Tool | 995-83 | Multi-Purpose Tool | | 680 SERIES |
| 995-46 | Cap Removal Tool | | 730 SERIES | 995-52 | Nut Driver, 1/4" |
| | 740 SERIES | 995-55 | Riser Hold Up Tool | 995-53 | Nut Driver, 3/8" |
| 995-07 | Valve Snap Ring Pliers | 995-84 | Riser Removal Tool | 995-55 | Riser Hold Up Tool |
| 995-08 | Valve Removal Tool | | 760 SERIES | 995-83 | Multi-Purpose Tool |
| 995-52 | Nut Driver, 1/4" | 995-55 | Riser Hold Up Tool | 995-83 | Multi-Purpose Tool |
| 995-53 | Nut Driver, 3/8" | 995-79 | Nut Driver, 7/16" (For Inner Nozzle) | 995-84 | Riser Removal Tool |
| 995-55 | Riser Hold Up Tool | 995-80 | Nut Driver, 1/2" (For 363-3137 Jam Nut) | | 750 SERIES |
| 995-76 | Valve Insertion Tool | 995-81 | Nut Driver, 9/16" (For Main Nozzle) | 995-55 | Riser Hold Up Tool |
| 996-06 | Snap Ring Removal Tool | 995-82 | Arc Adjustment Tool, 3/32" (T-Handle Hex Wrench) | 995-79 | Nut Driver, 7/16" (For Inner Nozzle) |
| 995-83 | Multi-Purpose Tool | 995-83 | Multi-Purpose Tool | 995-80 | Nut Driver, 1/2" (For 363-3137 Jam Nut) |
| | V-1550 SERIES | 995-84 | Riser Removal Tool | 995-81 | Nut Driver, 9/16" (For Main Nozzle) |
| 995-83 | Multi-Purpose Tool | | | 995-82 | Arc Adjustment Tool, 3/32" (T-Handle Hex Wrench) |
| 89-7350 | Adjustment Key | | | 995-83 | Multi-Purpose Tool |
| | | | | 995-84 | Riser Removal Tool |
| | | | | 690 Series | |
| | | | | Part No. | Nomenclature |
| | | | | 995-06 | Drive Assy. Extraction Tool |
| | | | | 995-07 | Valve Snap Ring Pliers |
| | | | | 995-09 | Valve Removal Tool |
| | | | | 995-12 | Valve Insertion Tool |
| | | | | 995-15 | Selector Tool (Flag Key) |
| | | | | 995-17 | Riser Pliers |
| | | | | 995-20 | Valve Insertion Tool, Rubber Cover |
| | | | | 995-22 | Hose Adapter |
| | | | | 995-49 | Pressure Gauge |
| | | | | 995-50 | Pitot Tube |
| | | | | 995-51 | Pressure Gauge Kit (Includes 995-49 & 995-50) |