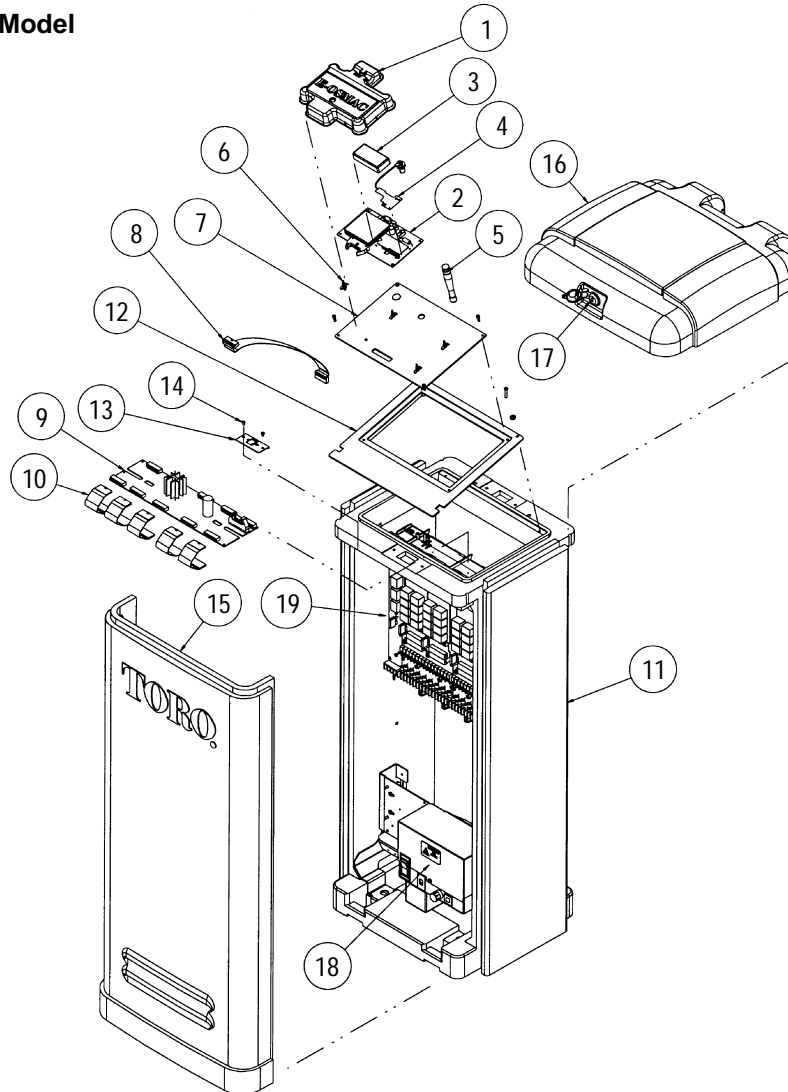




**Parts Breakout, E-Series Satellite Controller
OSMAC Digital Wireless Paging System (Wide Band)**

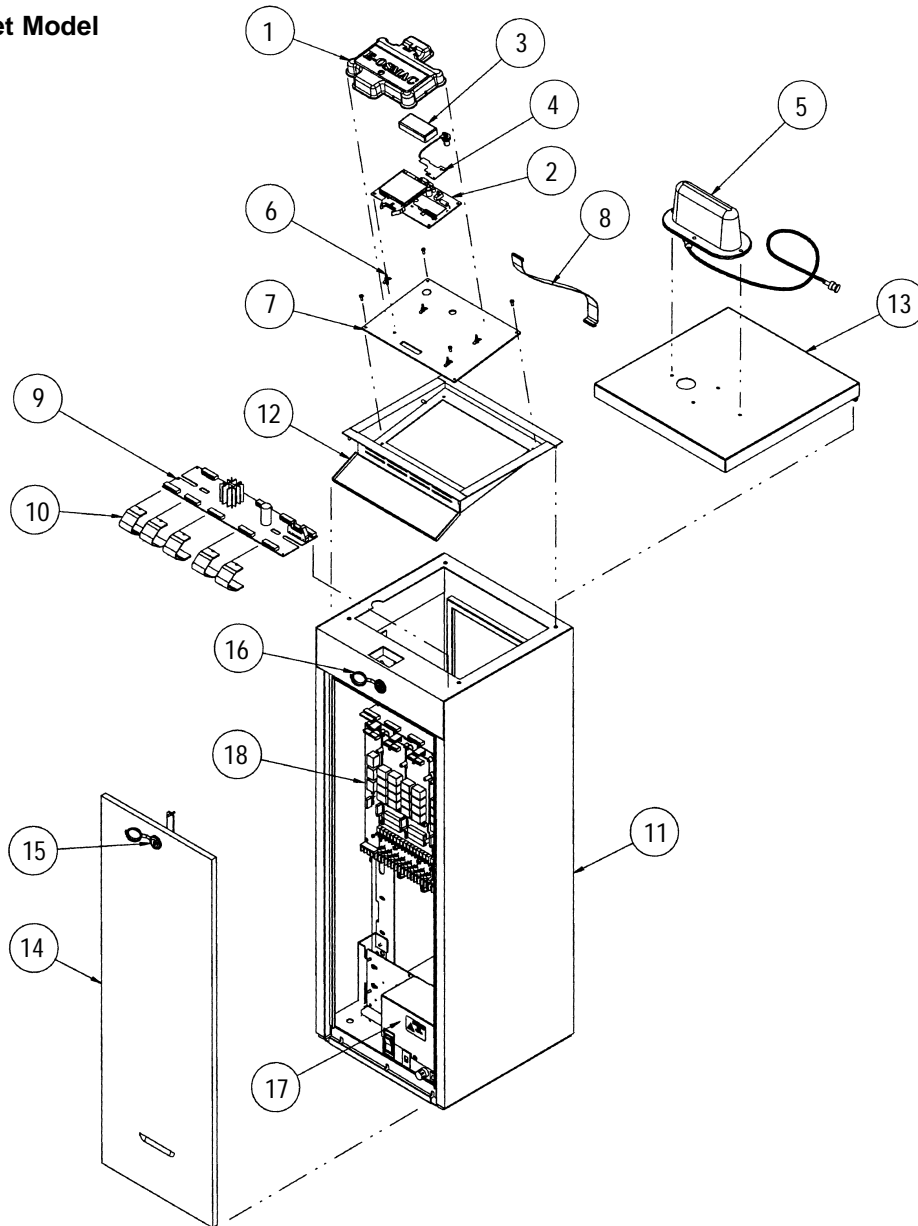
Figure 1 – Plastic Cabinet Model



Item No.	Part No.	Nomenclature	Quantity Per Assy.
1	102-0662	Cover, Decoder Module Assy.	1
2	102-0660	Decoder Module Assy, Service (Includes Item 6)*	1
3	N1551	Receiver Module (specify frequency)*	1
4	102-0656	Antenna PCB Assy. (optional)*	–
5	102-0655	Antenna, 450–475 MHz, w/BNC Connector (optional)*	–
6	363-3946	Stand-off, Plastic Locking	4
7	102-0661	Faceplate, Decoder Mounting	1
8	102-0659	Ribbon Cable (Output Distribution Module to Decoder Module)*	1
9	102-0672	Output Distribution Module Assy.*	1
10	102-0670	Ribbon Cable (Output Distribution Module to Output Modules)	Varies w/Model
11	89-8348	Base Assy., Plastic Pedestal, Service (Includes Item 13 & 14)	1
12	102-0664	Mounting Plate, TM	1
13	-----	Plate, Latch	1
14	363-5334	Screw, #10-32 x 3/8"	2
15	89-8347	Door Assy., Service	2
16	89-8345	Cover Assy., Service (Includes Item 17)	1
17	89-8346	Lock Assy., Service, w/Keys (Includes Item 13)	1
18	102-0645	Power Supply Assy. (See Figure 3 for component parts listing)	1
19	-----	Field Interface Components (See Figure 4 for parts listing)	–

*Order From Finished Goods Distribution System

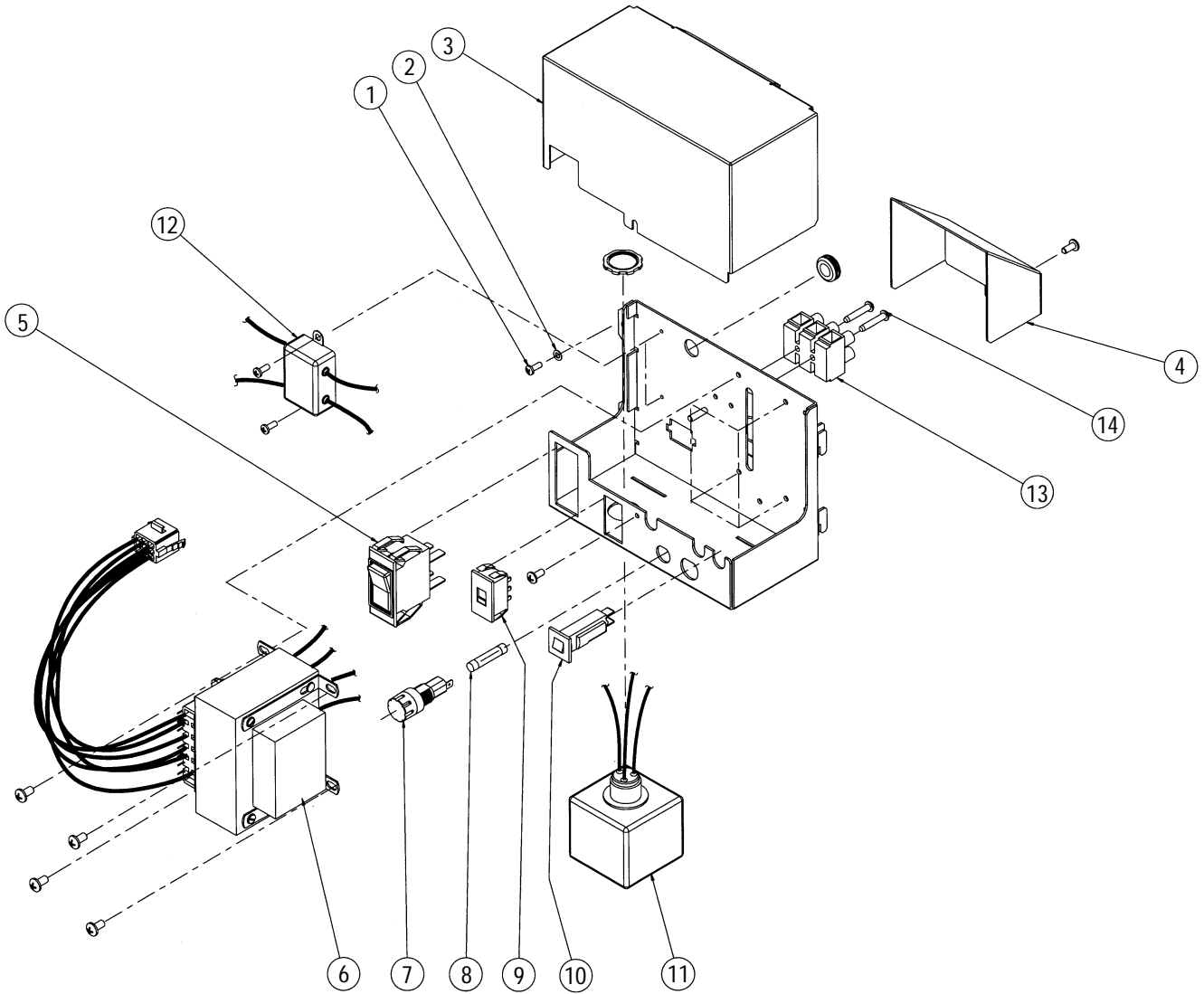
Figure 2 – Metal Cabinet Model



Item No.	Part No.	Nomenclature	Quantity Per Assy.
1	102-0662	Cover, Decoder Module Assy.	1
2	102-0660	Receiver/Decoder Module Assy., Service (Includes Item 6)*	1
3	N1551	Receiver Module (Specify Frequency)*	1
4	102-0656	Antenna PCB Assy.*	1
5	102-0663	UHF Dome Style Antenna Assy., 450–475 MHz, Service, w/Cable	1
6	363-3946	Stand-offs, Plastic Locking	4
7	102-0661	Faceplate, Decoder Mounting	1
8	102-0659	Ribbon Cable (Decoder Module to Distribution Module)*	1
9	102-0672	Distribution Board, Output Parallel*	1
10	102-0670	Ribbon Cable (Distribution Board to Output Module)	Varies w/Model
11	102-0702	Base, Pedestal, SST w/Lock Assy., Service (Includes Item 16)	1
–	102-0696	Cabinet Assy., Service (Includes Items 13–16)	–
12	102-0684	Mounting Plate, TM	1
13	102-0703	Lid Assy., Pedestal, SST	1
14	102-0704	Door, Pedestal, SST, w/Lock Assy., Service, (Includes Item 15)	2
15	102-0714	Lock Assy., Door, w/Keys & Cover, Service	2
16	102-0705	Lock Assy., Pedestal Base, w/Keys & Cover, Service	1
17	102-0645	Power Supply Assy. (See Figure 3 for component parts listing.)	1
18	–	Field Interface Components (See Figure 4 for parts listing.)	–

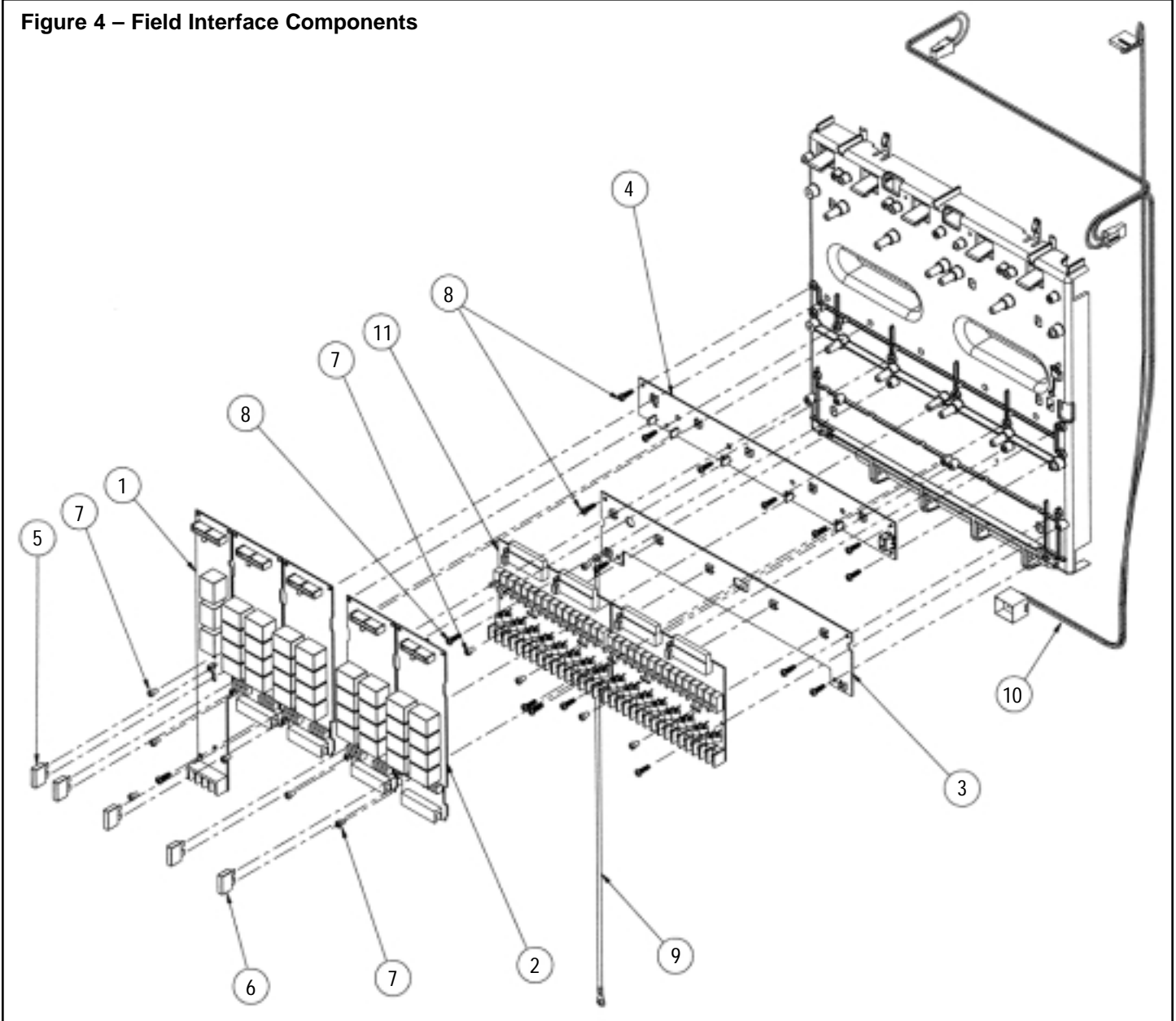
*Order From Finished Goods Distribution System

Figure 3 – Power Supply Assembly



Item No.	Part No.	Nomenclature	Quantity Per Assy.
1	4-1063	Screw, Tap, #6 x 3/8"	2
2	-----	Washer, Lock, #6	2
3	102-0646	Cover, Power Supply	1
4	102-0695	Cover, Wire Terminal	1
5	102-0666	Switch/Circuit Breaker, 1.5A	1
6	102-0647	Transformer Assy., w/Wire Harness	1
7	102-0649	Fuse Holder Assy.	1
8	102-0650	Fuse, 3.2A, Slow Blow, Service (10-Pack)	1
9	102-0648	Selector Switch, 115/230 V a.c.	1
10	102-0651	Circuit Breaker, 4.0A	1
11	102-0668	Surge Protection Assy., w/Nut	1
12	102-0700	Filter Assy., EMI	1
13	102-0667	Terminal Block, 115/230V (Includes Item 14)	1
14	360-0297	Screw, Tap, #6	2

Figure 4 – Field Interface Components



Item No.	Part No.	Nomenclature	Quantity Per Assy.
1	102-0669	Pump/Common Module Assy. (Includes Items 5, 7 & 102-0670 Cable)*	1
2	102-0654	Output Module Assy., 8-Station (Includes Items 6, 7 & 102-0670 Cable)*	Varies w/Model
3	102-0652	Ground Bus Bar PCB Assy., Service (Includes Item 8)	1
4	102-0653	24 V a.c. Bus Bar PCB Assy., Service (Includes Item 8)	1
5	102-0658	Fuse, 1.0A, Fast-Blow, Service (5-Pack)	1
6	102-0657	Fuse, 3.0A, Fast-Blow, Service (5-Pack)	4
7	102-0671	Screw, Machine, 6-32 x 1/4"	11
8	363-1355	Screw, #6, Self-Taping	18
9	102-0685	Wire Harness Assy., Grounding	1
10	102-0686	Wire Harness Assy., Power Supply	1
11	102-0639	16-Station Module Assy., (M1 Surge Upgrade) (Includes. Items 7 & 8)*	Varies w/Model
11	102-0640	16-Station Module Assy., (M2 Surge Upgrade) (Includes. Items 7 & 8)*	Varies w/Model
11	102-0641	16-Station Module Assy., (M3 Surge Upgrade) (Includes. Items 7 & 8)*	Varies w/Model
11	102-0642	16-Station Module Assy., (M4 Surge Upgrade) (Includes. Items 7 & 8)*	Varies w/Model
Not Shown	102-0638	8-Station Terminal Block (M0 Surge Level)*	Varies w/Model

* Order through Finished Goods Distribution System