



Network 8000

Satellite Controller

Illustrated Parts Breakout

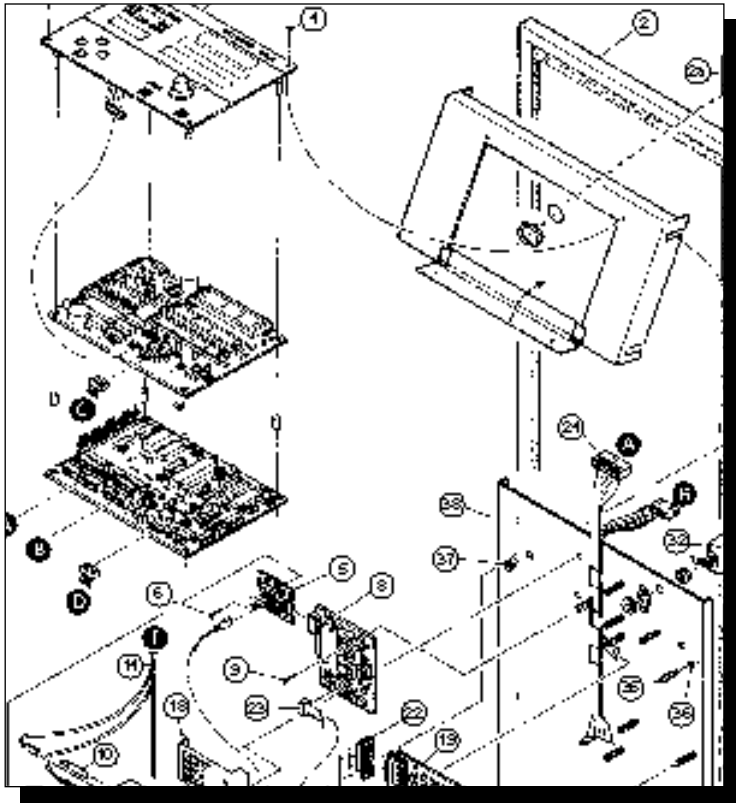


Table of Contents

Large Stainless Steel Pedestal

Figure 1	Model 132-76-08 (Front View)	2-3
Figure 2	Model 132-76-08 (Back View)	4-5

Green Metal Pedestal

Figure 3	Model 132-56-08	6-9
----------	-----------------	-----

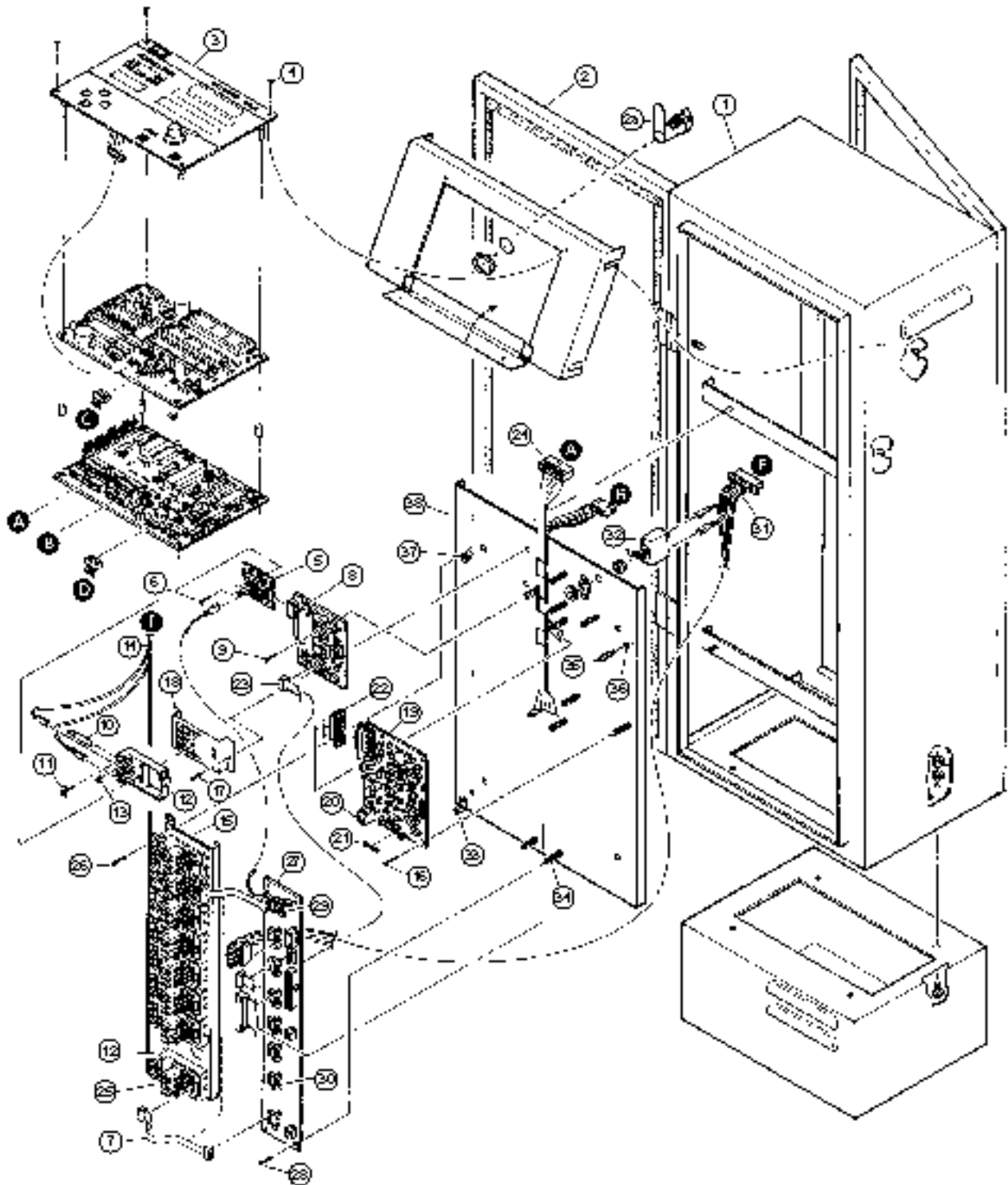
Small Stainless Steel Pedestal

Figure 3	Model 132-86-08	6-9
----------	-----------------	-----

Control Panel Assembly

Figure 4	Model 91-0222	10
----------	---------------	----

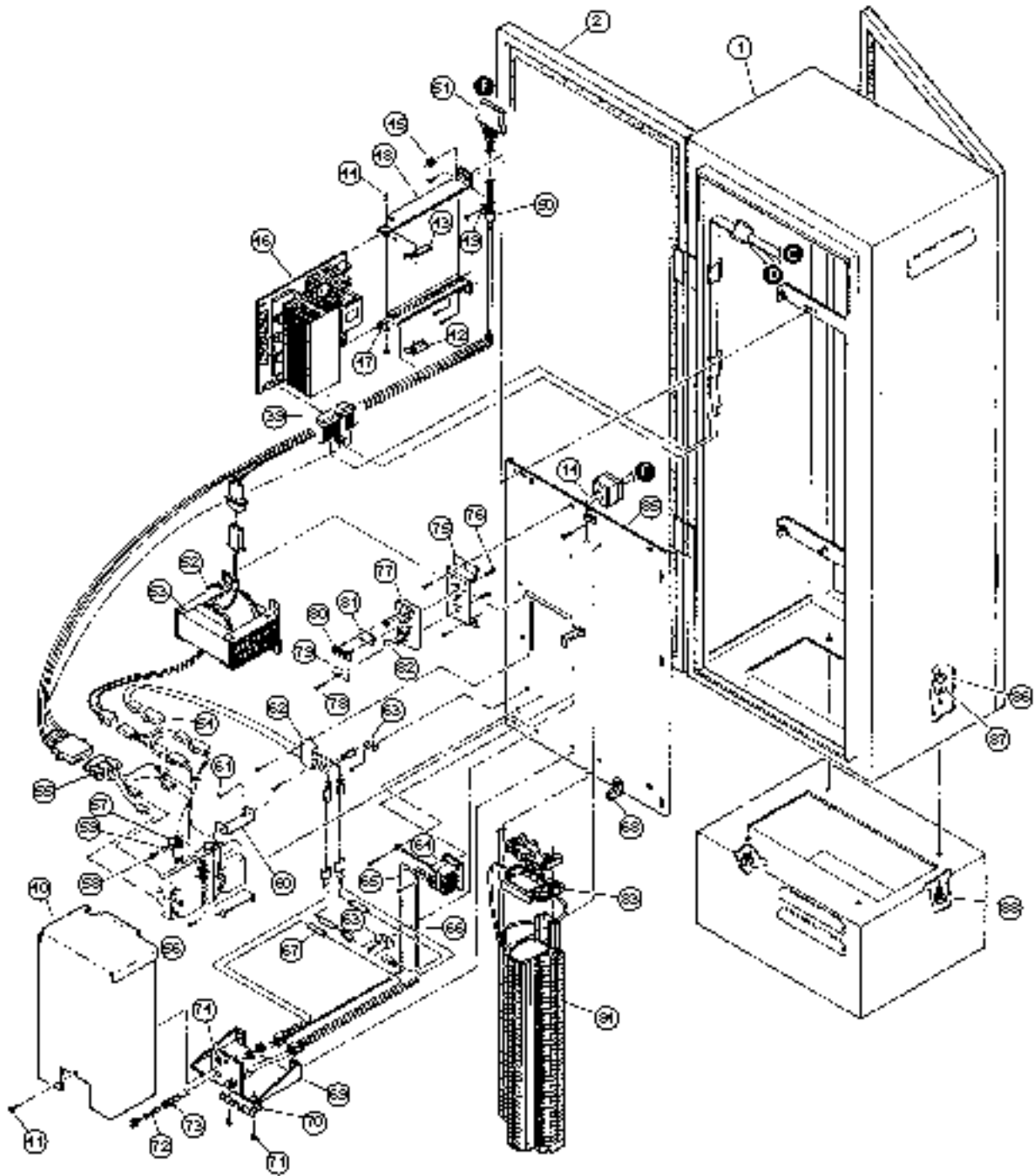
Figure 1 Network 8000 Satellite (Large Stainless Steel Pedestal) Front View



NOTE: A – F indicates cable connection points and routing.

Item No.	Part No.	Nomenclature	Quantity Per Assy.
1	132-76-08 35-8480	Satellite, Network 8000, Stainless Steel Pedestal Cabinet Assy., Pedestal Controller (Includes Items 2, 2A and Splash Guard 35-8658)	Ref 1
--	91-0986	Door Assy., Cabinet (Includes Items 2 and 2A)	1
2	-----	Door, Cabinet	2
2A	363-2814	Lock Assy.	2
3	91-0222	Panel Assy., Control (See Figure 4 for Components)	1
4	360-0285	Screw, Machine 6-32 x 3/8" Lg., SST	4
5	35-6326	PCB Assy., Pump/Current Monitor	1
6	1-1112	Screw, Tap #8 SST	1
7	35-8664	Cable Assy., Triac Board	8
8	91-1782	PCB Assy., Valve Voltage Monitor	1
9	1-3076	Screw, Tap, 6-32 x 3/8" Lg.	2
--	35-6399	Base Assy., Triac Module (Includes Items 10-13)	12
10	35-6418	Tab, Terminal	4
11	363-2431	Screw, #6 x 1/2" Lg., HI-LO with Clamp	4
12	35-3434	Base, Triac Module	8
13	360-0471	Surge Protector	4
14	35-8742	Cable Assy., Triac Module	1
15	35-8795	Bracket, Triac Module	1
16	1-3076	Screw, Tap, 6-32 x 3/8" Lg.	4
17	4-1063	Screw, Tap, #6	2
18	35-6346	Bracket, Pump Triac Module	1
19	91-1781	PCB Assy., Modem (Includes Items 20 & 21)	1
20	363-2231	Connector, 3 Pin, Female	1
21	363-2638	Fuse, 0.5 Amp, 250 V, 3 Ag	1
22	35-9422	Cable Assy., Front Plate	1
23	35-6328	Cable Assy., Modem	1
24	35-8662	Cable Assy., Fuse Board	1
25	35-6332	PCB Assy., Triac Module	8
26	4-1063	Screw, Tap #6	6
27	91-1783	PCB Assy., Fuse and Distribution	1
28	1-3076	Screw, Tap, 6-32 x 3/8" Lg.	4
29	363-2497	Fuse, 3.2 Amp SB	8
30	363-2498	Fuse, .5 Amp SB	1
31	35-8754	Cable Assy., Power, 24 VAC	1
32	363-2370	Circuit Breaker, 10 Amp	1
33	363-1553	Lug, Grounding	1
34	363-2804	Standoff, Hex, 6-32 x 1/2" Lg.	6
35	363-2812	Standoff, Hex, 6-32 x 3/4" Lg.	6
36	1-3079	Nut, Hex, 6-32	12
37	360-0594	Nut, Hex, 1/4-20	3
38	-----	Plate, Front Mounting	1

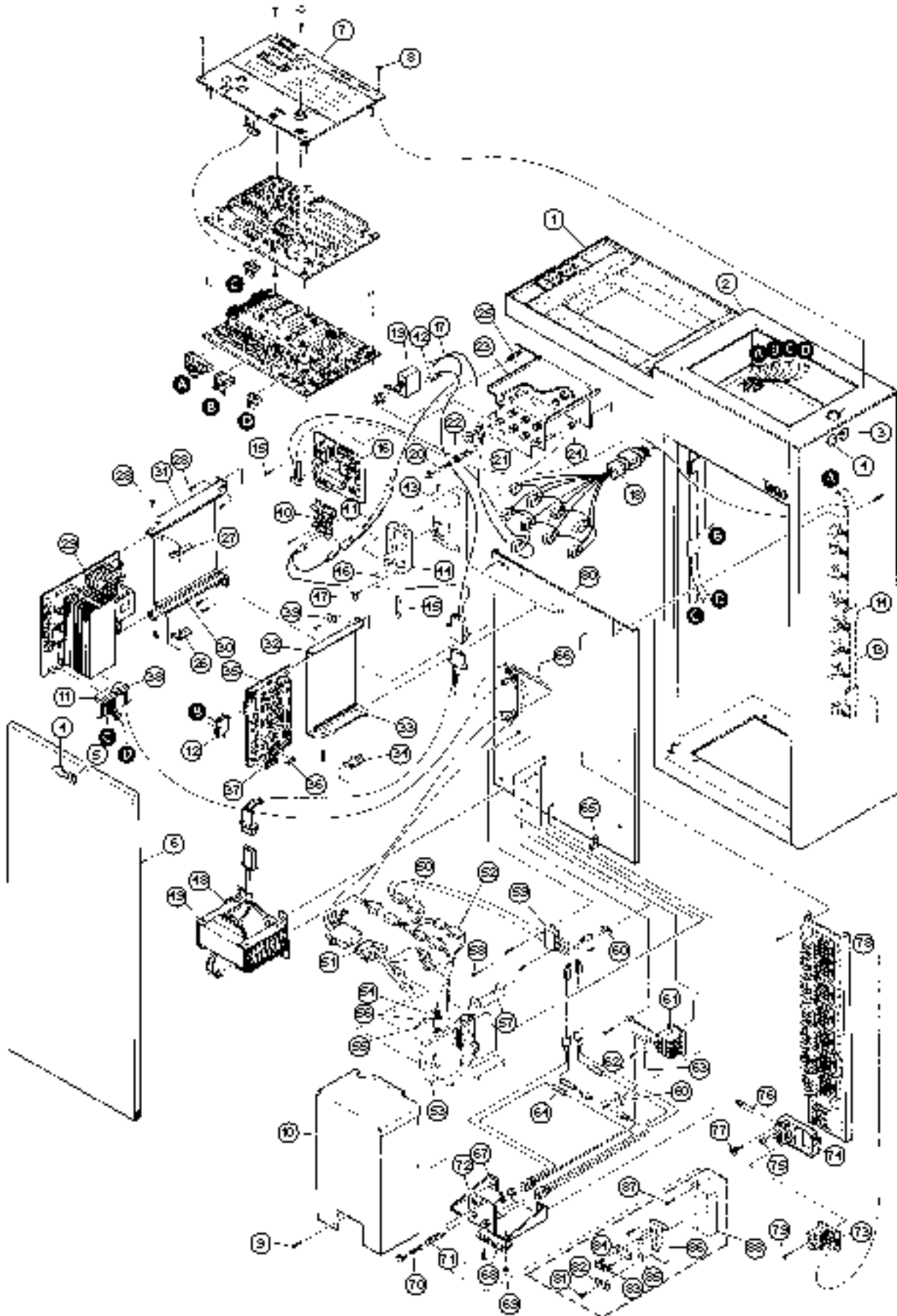
Figure 2 Network 8000 Satellite (Large Stainless Steel Pedestal) Back View



NOTE: A – F indicates cable connection points and routing.

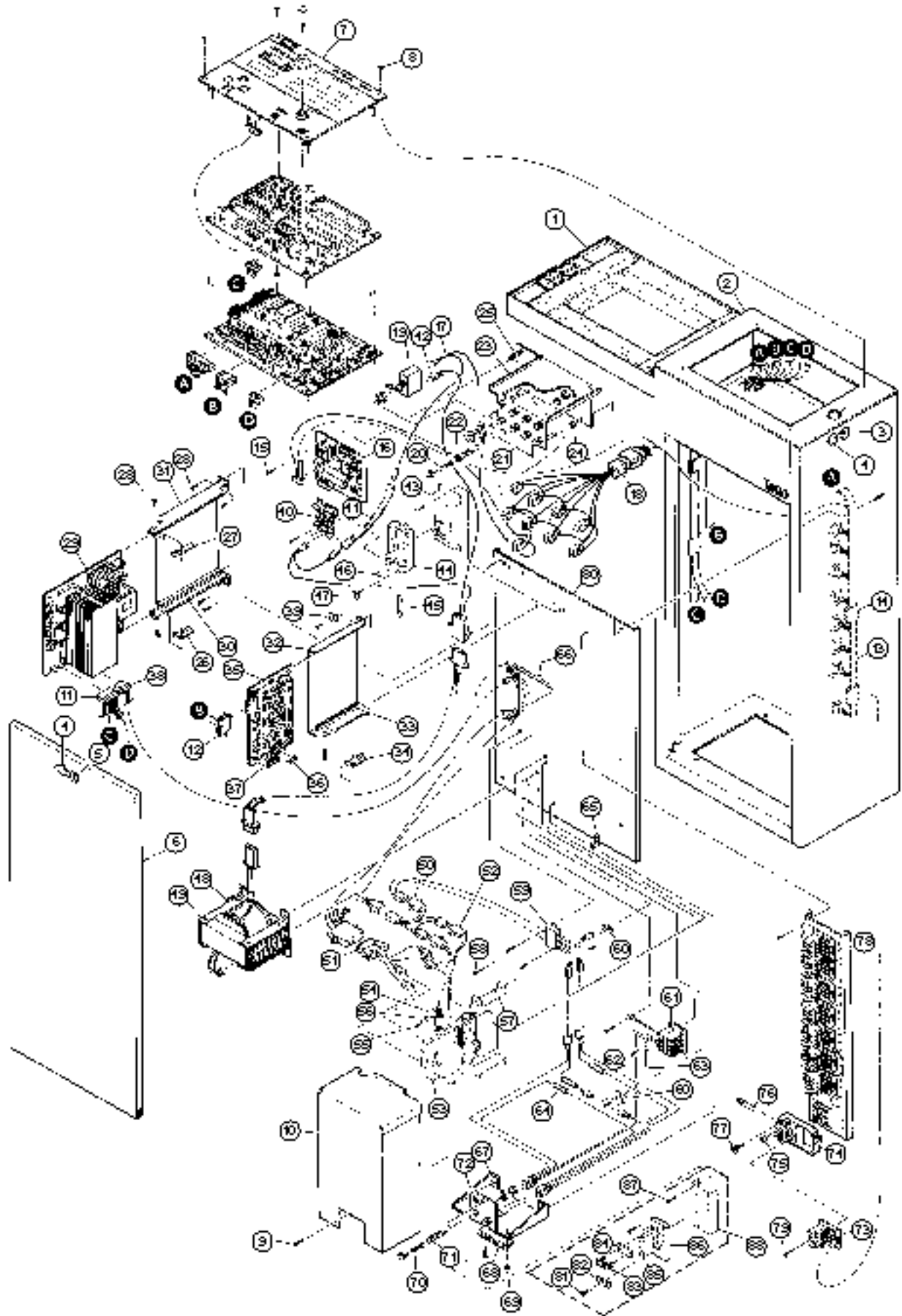
Item No.	Part No.	Nomenclature	Quantity Per Assy.
39	35-8705	Cable Assy., Power, with 2 Keys	1
40	35-6345	Cover, Power Supply	1
41	3-2698	Screw, Tap #6	1
42	35-8704	Bracket, Retainer, Lower	1
43	-----	Bracket, Retainer, Upper	1
44	4-1063	Screw, Tap #6	2
45	360-0594	Nut, Hex, 1/4-20	1
46	91-1779	PCB Assy., Power Supply	1
47	363-2233	Guide, Card, PCB 6-3/4" Lg.	2
48	35-8367	Bracket, Power Supply	1
49	3-4021	Washer, Flat, #8, Brass	2
50	1-7176	Clamp, Cable, Large	1
51	35-8755	Cable Assy., Power Level 3	1
52	360-0355	Screw, Tap #8	1
53	35-8583	Transformer Assy., Triac	1
54	35-8792	Cable Assy., Transformer, 24 VAC	1
55	35-8837	Cable Assy., Transformer, Power	1
--	35-8753	Transformer Assy., Power (Includes Items 56-60)	1
56	91-1288	Transformer Assy., 24 VAC, 20 VA	2
57	1-7176	Clamp, Cable, Large	1
58	360-0355	Screw, Tap #8	1
59	3-4021	Washer, Flat, #8, Brass	1
60	35-8174	Bracket, Transformer	2
61	4-1063	Screw, Tap #6	4
62	35-8904	Filter Assy., RFI	1
63	363-1346	Tab, Terminal	2
64	363-2371	Terminal Block	1
65	35-7841	Wire Assy., Fuse/Terminal Block, Black	1
66	35-7842	Wire Assy., Fuse/Terminal Block, White	1
--	35-9114	Lightning Protection Assy. (Includes Item 67)	1
67	360-0345	Surge Protector	3
68	363-1553	Lug, Grounding	1
--	35-8741	Bracket and Fuse Assy. (Includes Items 69-74)	1
69	-----	Bracket, Conduit	1
70	35-7738	Bracket, Pill Carrier	1
71	3-2698	Screw, #6 x 1/4" Lg.	5
72	363-2260	Fuse, 3 Amp	2
73	360-0750	Holder, Fuse	2
74	363-2459	Plug, Hole	1
--	35-8833	Bracket Assy., Comm. Cable (Includes Items 75-82)	1
75	35-8448	Bracket, Surge Protector	1
76	363-1596	Screw, Tap #6-19	1
77	35-7458	Carrier, Surge Protector	1
78	363-3103	Screw, Tap #6-19 x 3/4, PHPH	1
79	363-2271	Clamp, Cable	1
80	363-2431	Screw, #6 x 1/2" Lg. HI-LO with Clamp	2
81	35-7524	Strap	1
82	360-0471	Surge Protector	2
83	363-2635	Fuse, 7.5 Amp, FB	1
84	363-2807	Terminal Strip	1
85	35-9703	Plate, Rear Mounting	1
86	363-1684	Nut, Hex, 5/16" x 18-8	8
87	363-1683	Washer, Flat, 5/16"	4
88	363-1686	Screw, Cap, 5/16" x 1-1/2" Lg.	4
		Service Parts and Assemblies	
	91-0987	PCB Assy., Mod. 30, 286, Network 8000 (SNC)	
	363-1684	5/16" Hex Nut, Stainless Steel	
	363-1683	5/16" Flat Washer, Stainless Steel	
	363-1686	5/16" x 4.5" Cap Screw, Stainless Steel	

Figure 3 Network 8000 Satellite (Green Metal/Small Stainless Steel Pedestal)



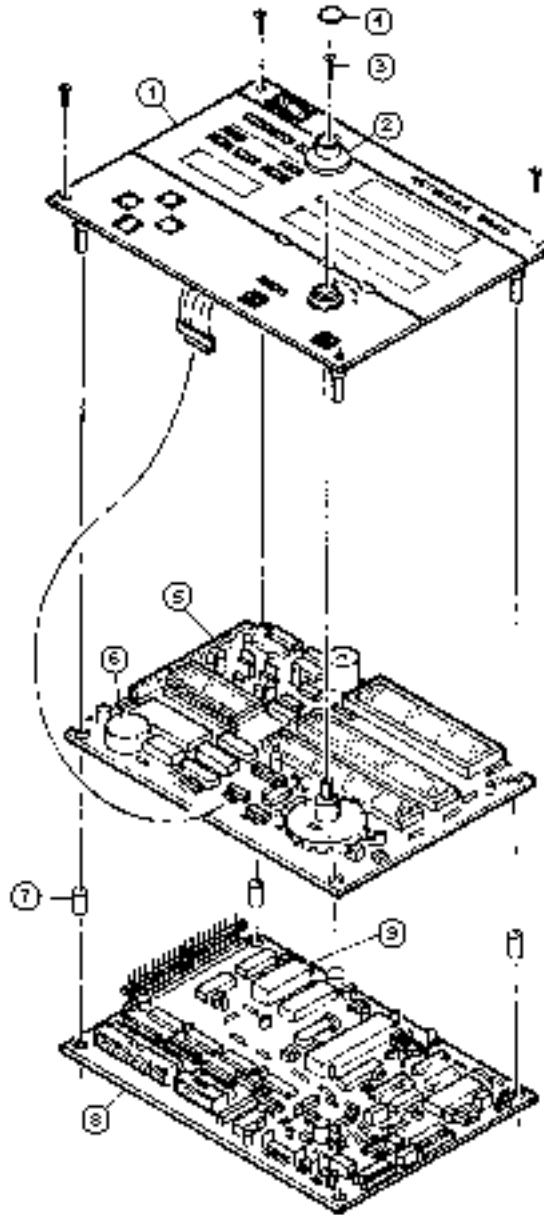
Item No.	Part No.	Nomenclature	Quantity Per Assy.
	132-56-08	Satellite, Network 8000, Green Metal Pedestal	Ref.
	132-86-08	Satellite, Network 8000, Small Stainless Steel Pedestal	Ref.
1	9-4043	Lid Assy., Cabinet	1
2	89-0385	Housing, Green Metal Pedestal	1
--	9-1695	Lock Assy., Lid (Includes Itemd 3 & 4)	1
3	360-0583	Lock, Chicago	1
--	9-4993	Door Assy., Green Metal Pedestal (Includes Items 4-6)	1
4	9-4303	Cover, Lock	2
5	360-0583	Lock, Chicago	1
6	9-1018	Door, Pedestal	1
7	91-0222	Panel Assy., Control (See Figure 4 for Components)	1
8	360-0285	Screw, #6-32 x 3/8" Lg., SST	4
9	3-2698	Screw, Machine, 6-32 x 1/4" Lg.	1
10	35-8706	Cover, Power Supply	1
11	35-8705	Cable Assy., Power, with Two Keys	1
12	35-6328	Cable Assy., Modem	1
13	35-7605	Cable Assy., Triac Driver	1
14	363-2321	Clamp, Cable Flat	1
15	1-3076	Screw, #6-32 x 3/8" Lg.	1
16	91-1782	PCB Assy., Valve Voltage Monitor	1
--	35-7287	Bracket Assy., Fuse (Includes Items 17-23)	1
17	35-7286	Wire Assy., Fuse	1
18	35-7575	Cable Assy., Triac Fuse	1
19	363-2370	Circuit Breaker	1
20	363-2497	Fuse, 3.2 Amp, SB	8
21	363-2498	Fuse, .5 Amp, SB	1
22	360-0750	Holder, Fuse	9
23	35-7285	Bracket, Fuse	1
24	360-0594	Nut, Hex, 1/4-20	1
25	363-2812	Standoff, #6-32 x 3/4" Hex, M/F	8
--	35-8706	Plate Assy., Rear (Includes Items 26-80)	1
26	35-8704	Bracket, Retainer Lower	1
27	-----	Bracket, Retainer Upper	1
28	4-1063	Screw, Tap #6	6
29	91-1779	PCB Assembly Kit	1
30	363-2233	Guide, Card, PCB, 6-3/4" Lg.	2
31	35-8367	Bracket, Power Supply	1
32	35-8570	Bracket, Modem	1
33	363-2281	Guide, Card, PCB, 4 Lg.	2
34	35-8704	Bracket, Retainer Lower	1
35	91-1781	PCB Assy., Modem	1
36	363-2638	Fuse, .5 Amp	2
37	363-2231	Connector, 3 Pin, Female	1
38	35-8755	Cable Assy., Power Level 3	1
39	363-1346	Tab, Terminal	3
40	35-6326	PCB Assy., Pump and Current	1
41	35-7888	Surge Protector Assy.	1
42	35-8796	Cable Assy., 24 VAC	1

Figure 3 Network 8000 Satellite (Green Metal/Small Stainless Steel Pedestal)



Item No.	Part No.	Nomenclature	Quantity Per Assy.
43	35-6346	Bracket, Pump Triac Module	1
44	35-6399	Base Assy., Triac Module	9
45	35-6418	Terminal Tab	4
46	360-0471	Surge Protector	4
47	363-2431	Screw, #6 x 1/2" Lg., HI-LO with Clamp	4
48	360-0355	Screw, Tap #8	1
49	35-8583	Transformer Assy., Triac	1
50	35-8793	Cable Assy., Transformer, 24 VAC	1
51	35-8837	Cable Assy., Transformer, Power	1
--	35-8753	Transformer Assy., Power (Includes Items 52-57)	1
52	363-1273	Connector, Pin	1
53	91-1288	Transformer Assy., Power	2
54	1-7176	Clamp, Cable, Large	1
55	360-0355	Screw, Tap #8	1
56	3-4021	Washer, Flat, #8, Brass	1
57	35-8174	Bracket, Transformer	2
58	4-1063	Screw, Tap #6	4
59	35-8904	Filter Assy., RFI	1
60	363-1346	Tab, Terminal	2
61	363-2371	Terminal Block	1
62	35-7841	Wire Assy., Fuse/Terminal Block, Black	1
63	35-7842	Wire Assy., Fuse/Terminal Block, White	1
--	35-9114	Lightning Protection Assy. (Includes Item 64)	1
64	360-0345	Surge Protector	3
65	363-1553	Lug, Grounding	1
66	35-7288	Clip, Ground	1
--	35-8741	Bracket and Fuse Assy. (Includes Items 67-72)	1
67	-----	Bracket, Conduit	1
68	35-7738	Bracket, Pill Carrier	1
69	3-2698	Screw, #6 x 1/4" Lg.	5
70	363-2260	Fuse, 3 Amp	2
71	360-0750	Holder, Fuse	2
72	363-2459	Plug, Hole	1
73	35-6332	PCB Assy., Triac Module	1
--	35-6399	Base Assy., Triac Module (Includes Items 74-77)	1
74	35-3434	Base, Triac Module	1
75	360-0471	Surge Protector	32
76	35-6418	Terminal Tab	32
77	363-2431	Screw, Hex, 1/2" Lg Hi-Lo with Clamp	32
78	35-8795	Bracket, Triac Module	1
79	1-1112	Screw, Tap #8	8
80	35-9703	Plate, Rear Mounting	1
--	35-8970	Kit, Instal, Network 8000 (Includes Items 81-88)	1
81	360-0733	Screw, Tap, #6	1
82	363-2271	Clamp, Cable	1
83	363-2431	Screw, #6 x 1/2" Lg., Hi-Lo with Clamp	2
84	35-7524	Strap	1
85	360-0471	Surge Protector	2
86	35-7458	Carrier, Surge Protector	1
87	363-1596	Screw, Tap #6-19	1
88	35-7790	Bracket Assy., Surge Protector	1
--	-----	Fuse Assy., 7.5 Amp	1
		Service Parts and Assemblies	
	91-0987	PCB Assy., Mod. 30, 286, Network 8000	
	91-0488	Pedestal, Satellite, Network 8000, Small Stainless Steel (Includes Items 1-6)	
	91-0291	Door Assy., Stainless Steel (Includes Items 4-6)	
	363-1684	5/16" Hex Nut, Small Stainless Steel	
	363-1683	5/16" Flat Washer, Small Stainless Steel	
	363-1686	5/16 x 4.5" Cap Screw, Small Stainless Steel	

Figure 4 Network 8000 Satellite Control Panel Assembly



Item No.	Part No.	Nomenclature	Quantity Per Assy.
	91-0222	Control Panel Assy., Satellite, Network 8000	Ref.
1	35-624	Faceplate Assembly	1
2	35-6237	Knob	1
3	363-1596	Screw, Tap #6-19	1
4	35-7637	Cap, Knob	1
5	91-1784	PCB Assy., Display	1
6	363-2200	Battery, 3.9 V	1
7	35-6243	Spacer	4
8	91-1790	PCB Assy., Processor	1
9	91-0976	IC, 27C256, Programmed (EPROM)	1
9	995-94	EPROM, 5.0	1